

Shark[®] **ROTATOR**[™]

OWNER'S GUIDE

NV500NZV2



Thank you for purchasing the Shark® Rotator™ Upright Vacuum.

For a list of what is included with this model, refer to inside flap of box.

This Owner's Guide is designed to help you get a complete understanding of your new vacuum cleaner. Please read it carefully and keep it for future reference.

If you should have a question about your Shark® Rotator™, please call
AUST: 1800 890 840 or NZ: 0800 002 999.

THANK YOU!

REGISTER YOUR PURCHASE:

 AUST: 1800 890 840

 NZ: 0800 002 999

RECORD THIS INFORMATION:

Model Number: _____

Date of Purchase (Keep receipt): _____

TECHNICAL SPECIFICATIONS:

Voltage: 220-240V~, 50/60Hz

Watts: 1200W

Power Nozzle 80W

RECOMMENDED FILTER CLEANING SCHEDULE:

See the MAINTENANCE section for filter cleaning instructions

Foam filter:	XDF500	Every 3 months
Felt Filter:	XDF500	Every 3 months
HEPA Filter:	XHF500	Every 12 months



SAA131168EA

IMPORTANT SAFEGUARDS

When using an electrical appliance, basic safety precautions should always be observed, including the following:

WARNING

This appliance is not intended for use by persons with reduced physical, sensory or mental capabilities, or lack of experience and knowledge, unless they have been given supervision or instruction concerning use of the appliance by a person responsible for their safety.

Children shall not use or play with this appliance. Close supervision is necessary to keep appliance out of reach of children during use.

WARNING

TO REDUCE THE RISK OF FIRE, ELECTRIC SHOCK OR INJURY:

- 1 DO NOT use outdoors or on wet surfaces.
- 2 Unplug from electrical outlet when not in use and before cleaning or servicing.
- 3 DO NOT use with damaged cord or plug. Contact Customer Service or Service Center for the repair or replacement of the line cord.
- 4 DO NOT use if the appliance is not working, has been dropped, dropped into water, damaged or left outdoors.
- 5 NO SERVICEABLE PARTS. Incorrect re-assembly or repair can cause a risk of electrical shock or injury to persons when the appliance is used. Contact Customer care.
- 6 DO NOT pull or carry vacuum cleaner by the cord or use the cord as a handle.
- 7 DO NOT unplug by pulling on cord; to unplug, grasp the plug, not the cord.
- 8 DO NOT handle plug or vacuum cleaner with wet hands.
- 9 DO NOT run the vacuum cleaner over the power cord, close a door on the cord or pull cord around sharp corners.
- 10 The use of an extension cord is not recommended.
- 11 DO NOT leave vacuum cleaner unattended when plugged in.
- 12 Keep cord away from heated surfaces.
- 13 Turn off all controls before plugging or unplugging the vacuum cleaner.
- 14 Always turn off the vacuum cleaner before connecting or disconnecting power nozzle.



CAUTION: Power nozzle contains electrical connections and it is not a serviceable part.

- 15 Store your vacuum cleaner with the power cord secured around the two cord holders.

GENERAL USE

- 16 Use only as described in this manual.

- 17 DO NOT put any objects into openings. DO NOT use with any opening blocked; keep free of dust, lint, hair, and anything that may reduce air flow.
- 18 Keep your work area well lit.
- 19 Keep the vacuum cleaner moving over the carpet surface at all times to avoid damaging the carpet fibers.
- 20 DO NOT place vacuum cleaner on unstable surfaces such as chairs or tables.
- 21 DO NOT use without dust cup and/or filters in place.

HOSE ATTACHMENTS

- 22 DO NOT use if air flow is restricted; if the air paths, the hose, or the accessories become blocked, turn the vacuum cleaner off. Remove all obstructions before you turn on the unit again.
- 23 Keep the end of the hose and accessory openings away from face and body.
- 24 Keep cleaning tools and hose suction openings away from hair, face, fingers, uncovered feet, or loose clothing.
- 25 Only use manufacturer's recommended attachments.

DUST CUP/FILTERS/ACCESSORIES

Before turning on the vacuum:

- 26 Make sure that all filters are thoroughly dry after routine cleaning.
- 27 Make sure that dust cup and all filters are in place after routine maintenance.
- 28 Make sure accessories are free of blockages.
- 29 Use only manufacturer's recommended accessories and replacement parts.

GENERAL CLEANING

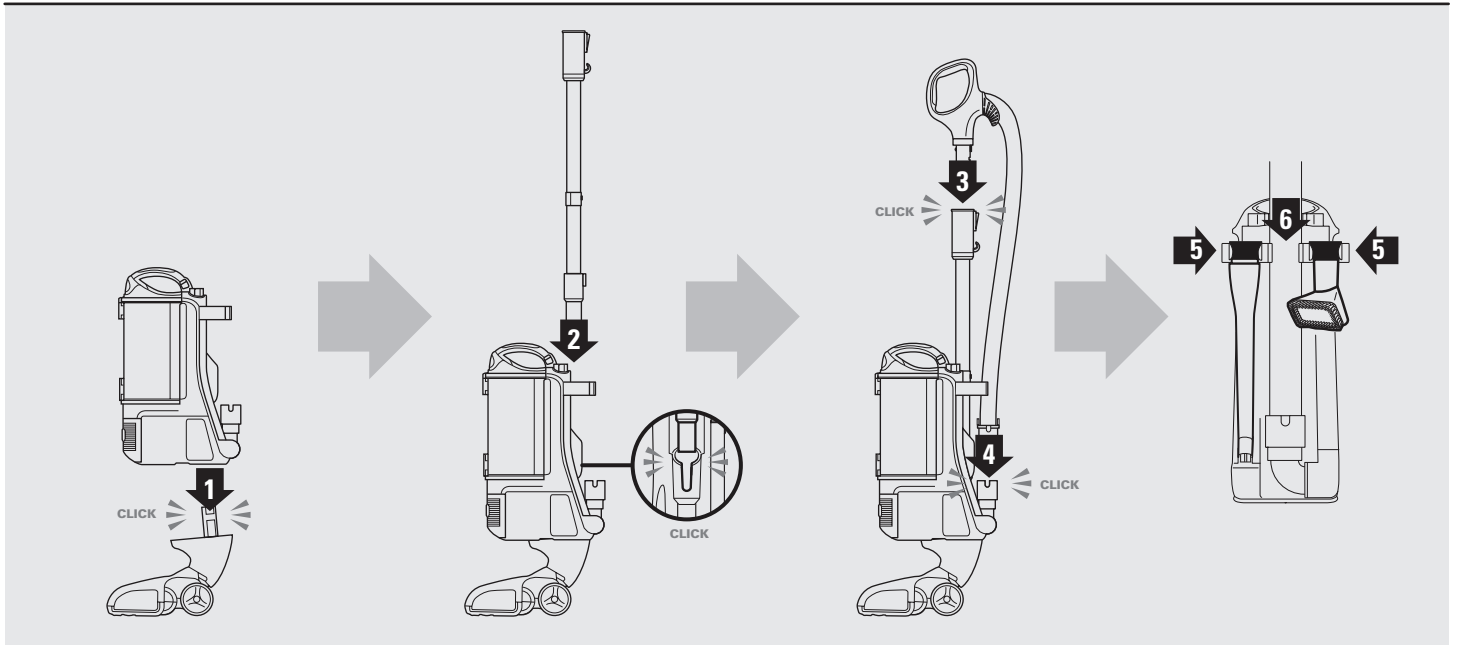
- 30 DO NOT pick up large-sized objects.
- 31 DO NOT pick up hard or sharp objects such as glass, nails, screws or coins that could damage the vacuum cleaner.
- 32 DO NOT pick up smoking or burning objects such as hot coals, cigarette butts, or matches.
- 33 DO NOT pick up flammable or combustible materials such as lighter fluid, gasoline, or kerosene or use vacuum in areas where they may be present.
- 34 DO NOT pick up toxic solutions such as chlorine bleach, ammonia, or drain cleaner.
- 35 DO NOT use in an enclosed space where vapors are present from paint, paint thinner, moth-proofing substances, flammable dust or other explosive or toxic materials.
- 36 DO NOT vacuum up any liquids.
- 37 DO NOT immerse vacuum cleaner in water or other liquids.
- 38 DO NOT use outdoors or on wet surfaces; use only on dry surfaces.
- 39 Use extra care when cleaning on stairs.

SAVE THESE INSTRUCTIONS



ASSEMBLY

- 1 Place the vacuum pod onto power nozzle.
- 2 Slide wand into base of the pod.
- 3 Insert handle into the top of the wand.
- 4 Attach flex hose into base of the pod.
- 5 Insert the crevice tool and dusting brush into the accessory clips as shown.
- 6 Tuck the hose between the two accessory clips.



⚠ WARNING: When vacuuming fine dust (sawdust, sand, flour, talcum powder, etc.) electrostatic charges build up naturally. Under certain conditions these electrostatic charges will be released. To avoid the unpleasant effects of static discharges, a metal strip has been incorporated into the right side of the handle. PLEASE MAKE SURE THAT YOU KEEP YOUR HAND IN CONSTANT CONTACT WITH THIS METAL STRIP DURING VACUUMING.

INCORRECT



CORRECT



OR

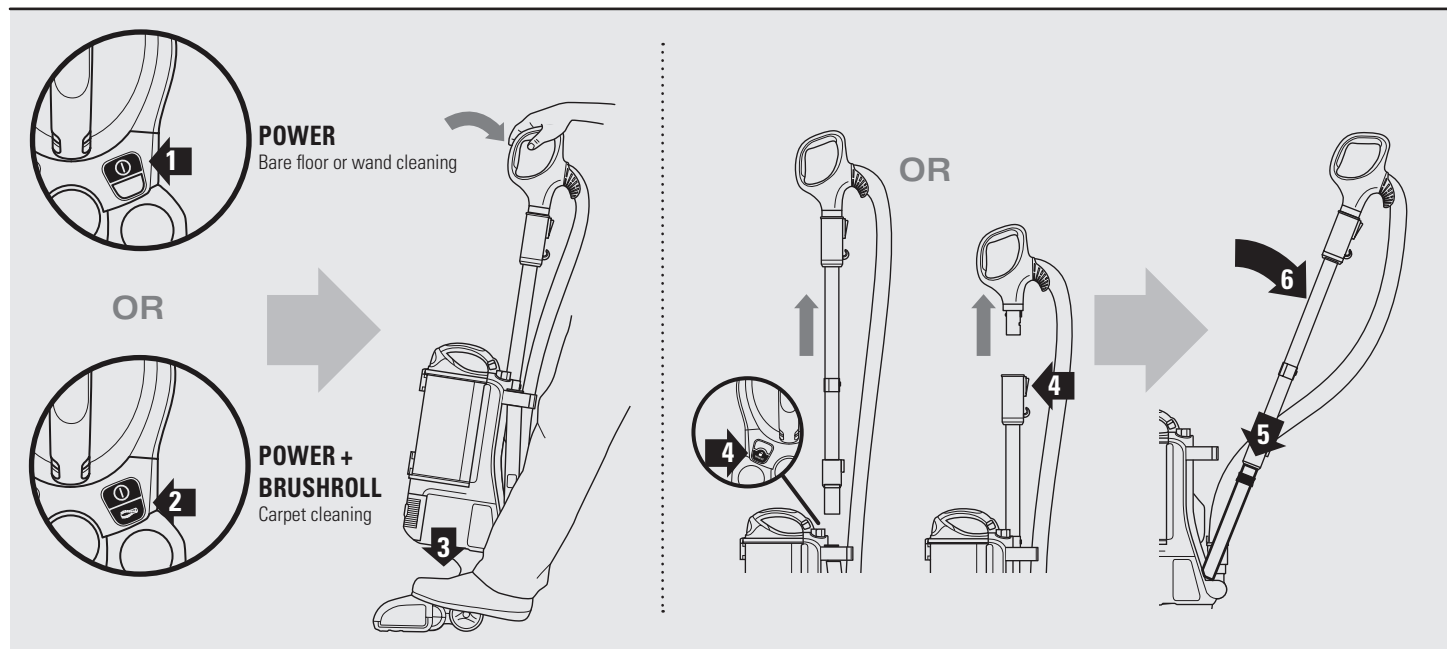


UPRIGHT CLEANING

- 1 Press **POWER** to clean bare floor surfaces, area rugs or areas above-floor. The brushroll will not spin in this mode.
- 2 Press **POWER** and **BRUSHROLL** to clean carpets. The brushroll indicator lights will illuminate **GREEN**. If there is a jam, the indicator light on power nozzle will illuminate **RED**. Refer to **MAINTENANCE** (page 10) for instructions on removing blockages.
- 3 Place your left foot gently on the power nozzle and tilt the handle back to start cleaning. Note: The brushroll will only spin once the vacuum is reclined back.

ABOVE FLOOR CLEANING

- 4 To clean with hose, press the **WAND** or **HANDLE** release button (depending on the amount of reach required) then lift handle up.
- 5 Insert wand or handle directly into desired tool.
- 6 Pivot back to release tool from accessory clip.



LIFT-AWAY™ CLEANING

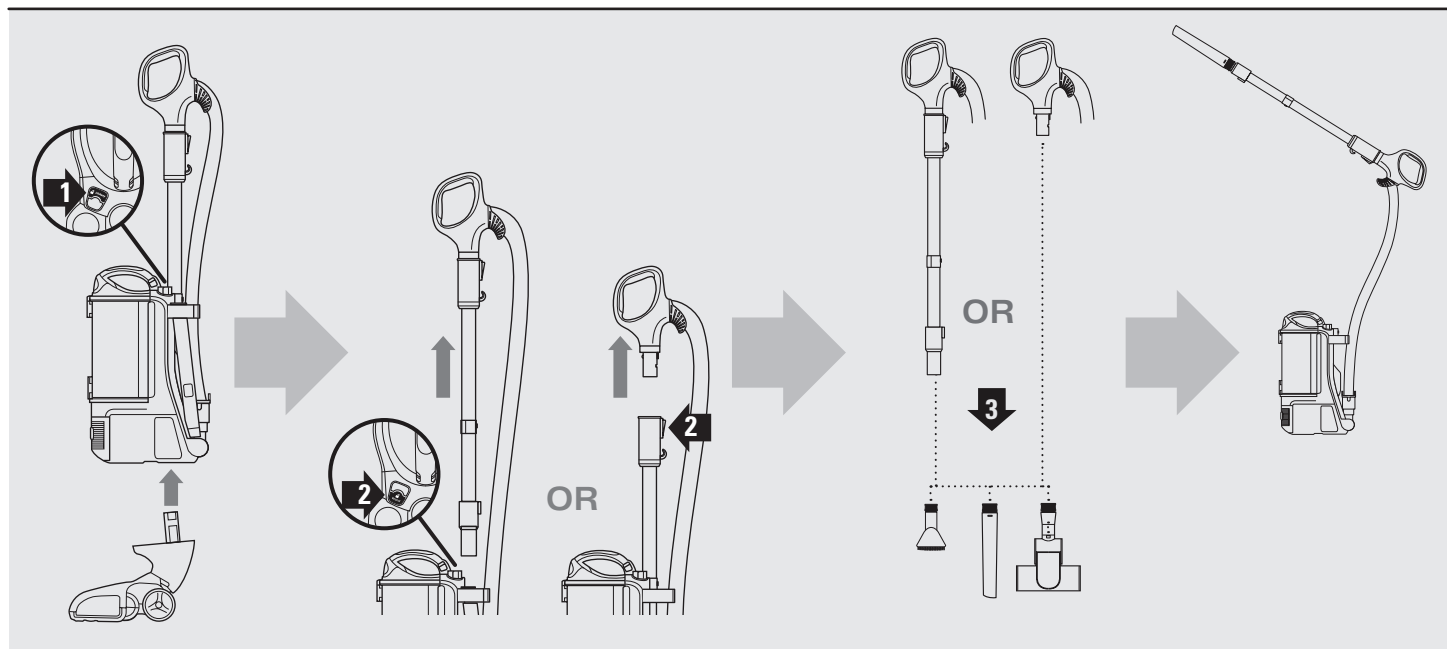
Use for portable
cleaning without
the wheels. Clean
floors, stairs or
anywhere with the
Lift-Away™ pod.

NOTE: When using the vacuum in Lift-Away™ mode, always make sure to hold onto the handle of the pod.

- 1 Press LIFT-AWAY to lift the pod off the power nozzle.
- 2 To clean with hose, press the WAND or HANDLE release button then lift handle up.
- 3 Attach desired cleaning tool. Should you need to increase or decrease the amount of suction, refer to Helpful Tips (page 8), SUCTION CONTROL.

NOTE: Select cleaning accessories are included with this model. Additional accessories are available for purchase.

For a list of what is included with this model, refer to inside flap of box.

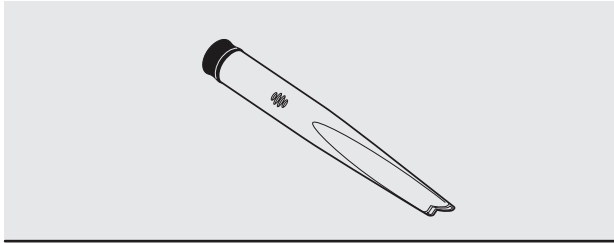


ACCESSORIES

NOTE: Select cleaning accessories are included. Others are available for purchase.

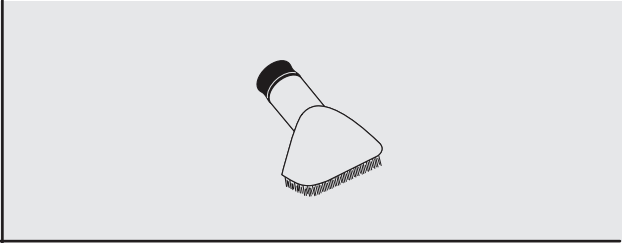
For a list of what is included with this model, refer to inside flap of box.

30 cm Crevice Tool X11FC500



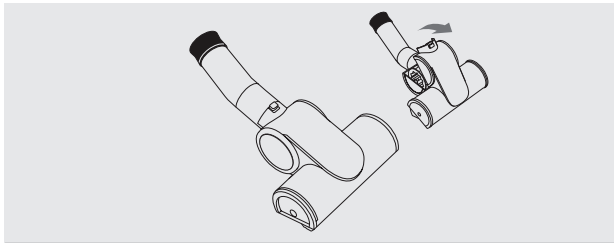
Dusting Brush 1185FC500

Cleans hard surfaces and upholstery.



Large Power Brush X13FC500

Designed for removal of pet hair and ground-in dirt from carpeted stairs and upholstery.



HELPFUL TIPS

SUCTION CONTROL

- 1 This unit is equipped with a suction control collar to help with push and pull on high pile carpets, area rugs and to release suction when dusting delicate objects or drapery. Located at base of top handle, rotate the collar 90° to minimize suction. Be sure to close again for maximum suction.

POWER BUTTONS

- 2 The POWER button turns on suction only. This is ideal for use on bare floors, delicate area rugs and for use with accessories.
- 3 The BRUSHROLL button spins the floor brush, ideal for use on carpeted surfaces. Note: The floor brush will only spin once the vacuum is reclined back.

CORD HOOKS

- 4 For quick cord access, rotate upper hook 180° and remove cord. Rotate it back for cord storage.

HEADLIGHTS

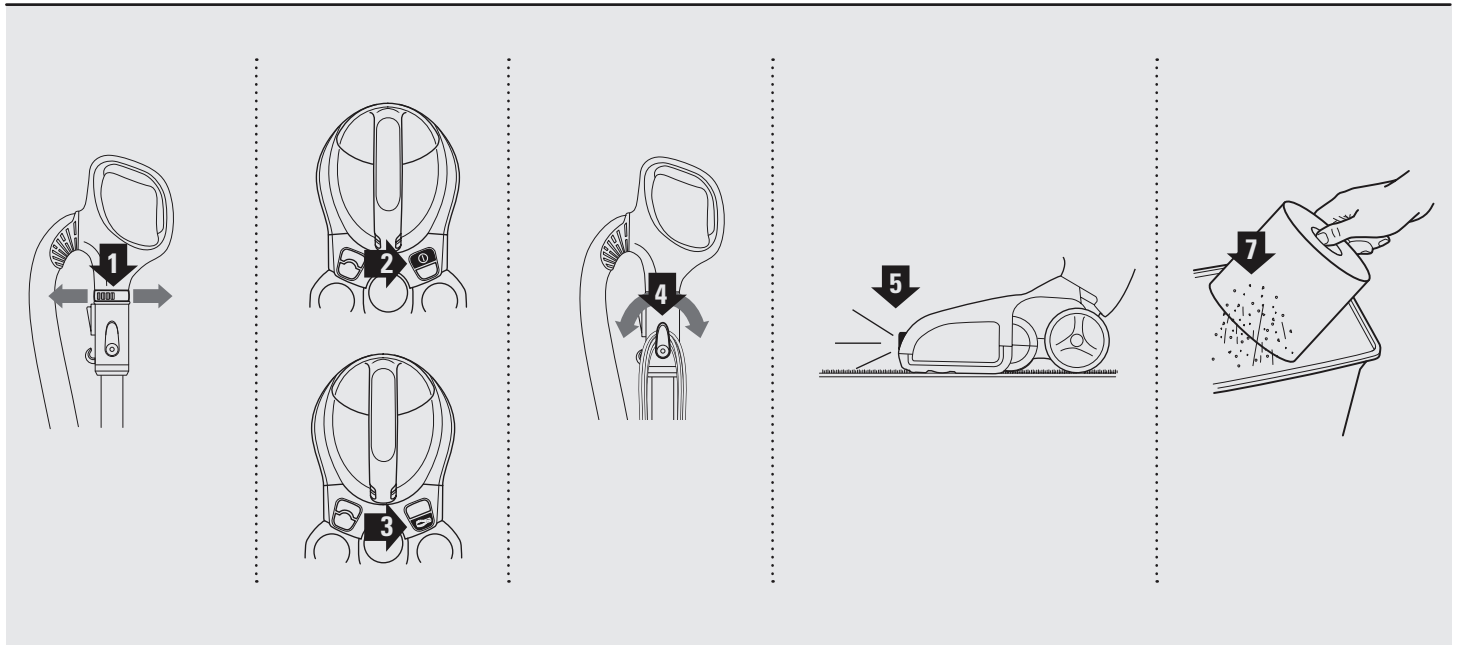
- 5 Designed to illuminate debris in dark areas, the headlights illuminate any time the power is on. The headlights are long-lasting and designed to last the life of the vacuum.

HEIGHT ADJUSTMENT

- 6 This power nozzle has been optimized to work on all types of carpets as well as bare floors so there is never any need to adjust heights for different surfaces.

FILTERS

- 7 Remember to clean your filters regularly under normal use. Also, for optimal performance, tap clean filters between washes as needed.



MAINTENANCE

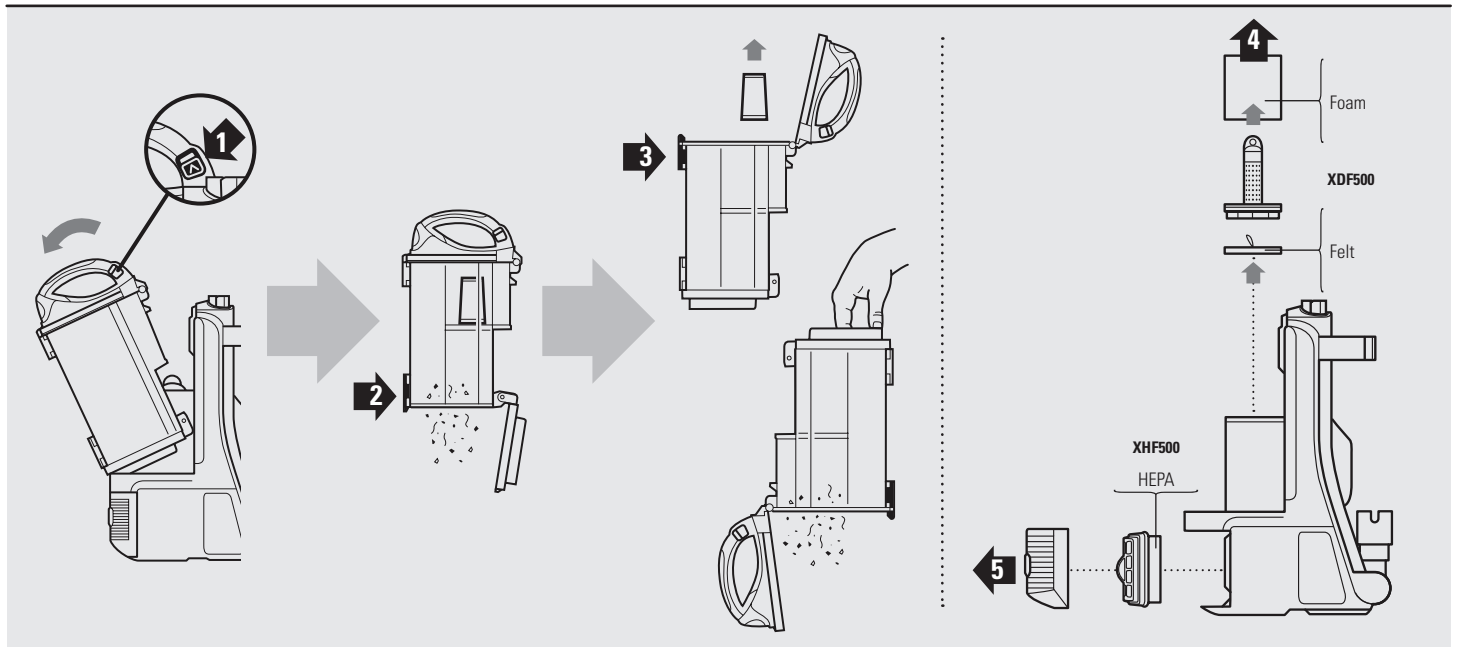
EMPTY THE DUST CUP

- 1 Pull up on the dust cup release latch and lift the dustcup off the pod.
- 2 Holding the dust cup over a garbage bag or can, press the bottom empty release latch.
- 3 Press the top dust cup release latch to access the dust screen and remove built-up debris as required. With the dust screen removed, turn the dust cup over and empty the upper chamber by holding it by the recessed handle underneath the dust cup.

CLEAN THE FILTERS

See cleaning schedule on page 2

- 4 With the dust cup detached, remove and rinse the foam and felt filters every 3 months. Let air dry completely before re-inserting. Hand wash only. Tap loose dirt off filters between washes as needed.
- 5 Once a year, open the filter grill and remove and rinse the HEPA filter. Let air dry completely before replacing. Hand wash only.



MAINTENANCE

CHECK FOR BLOCKAGES

REMOVE AND INSPECT:

1 HOSE AND TUBES

Remove power nozzle, dustcup and hose and shine a flashlight in all the intake openings to check for possible blockage.

2 BOTTOM OF POWER NOZZLE

 **CAUTION: Nozzle contains live parts**

a Using a coin, turn the locking screws to the unlock position and pull up to expose the airway. Remove any obstructions, close and relock.

b Remove any string, carpet fibers or hair that may be wrapped around the brushroll.

3 HOSE CUFF AT BASE OF POD

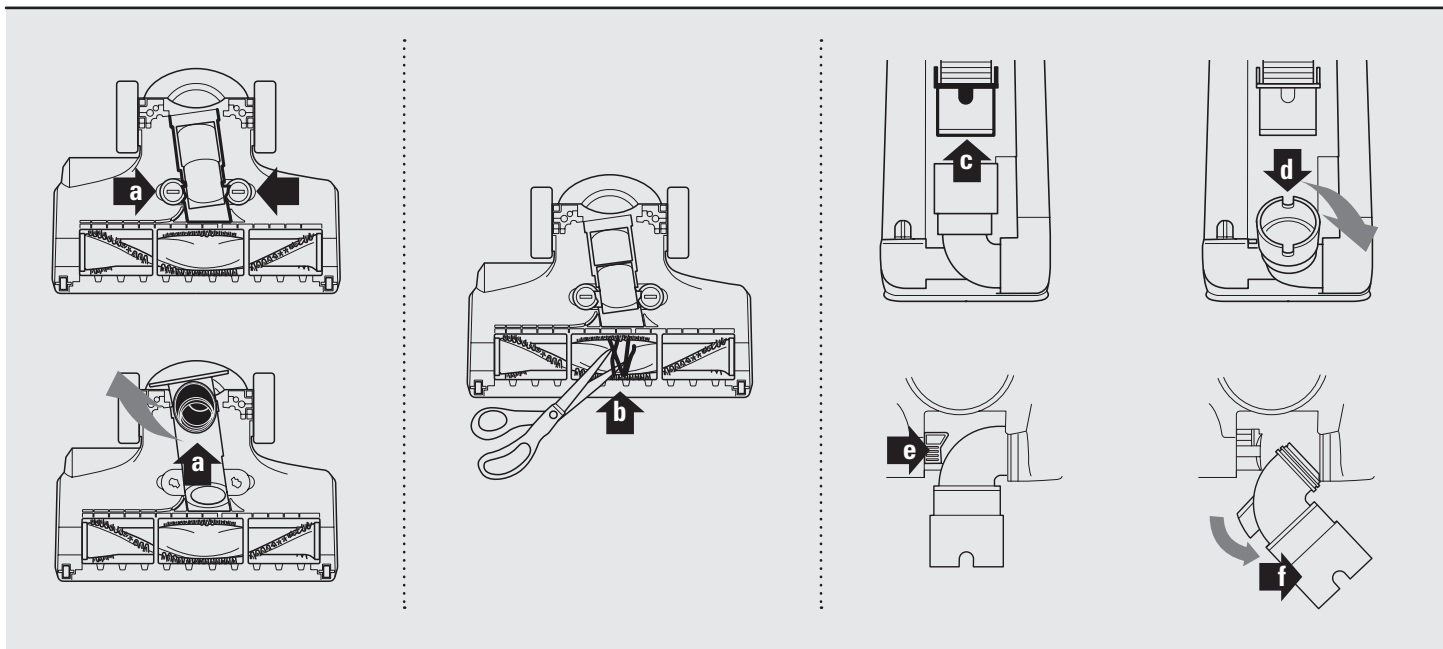
c Squeeze tabs and remove hose.

d Tilt elbow down 90°.

e Press elbow release latch.

f Remove elbow and check for blockages.

g Replace elbow by inserting gasket end back into the opening and clip back into the latch.



TROUBLE- SHOOTING GUIDE

Vacuum is not picking up dirt. No suction or light suction

- Check filters to see if they need cleaning. Follow instructions for rinsing and drying the filters before re-inserting back into the vacuum.
- Dust cup may be full; empty dust cup.
- Check hose, hose connections, nozzles and accessories for blockages; clear blockages if required.
- Close the suction release on the handle to increase suction power.

Vacuum lifts area rugs

- Suction is powerful. Take care when vacuuming area rugs or rugs with delicately sewn edges. Open the suction release on the handle to decrease suction power.
- Turn off the unit to disengage the brush roll and restart with the POWER button for suction only cleaning.

Brush roll does not spin

- Pull the handle toward you and release the power nozzle to disengage the auto-off feature.
- Turn the unit on by pressing the BRUSHROLL button.
- Immediately turn off and unplug vacuum, disconnect the power nozzle and remove blockage before reconnecting and turning vacuum back on.

Vacuum turns off on its own

- This vacuum cleaner is equipped with a motor protective thermostat. If for some reason your vacuum overheats, the thermostat will automatically turn the unit off. Should this occur, perform the following steps to restart the motor thermostat:
 1. Turn the unit off.
 2. Unplug the vacuum.
 3. Empty the dust cup and clean filters.
 4. Check for blockages in hose, accessories and inlet openings.
 5. Allow the unit to cool for a minimum of 45 minutes.
 6. Plug in the vacuum.
 7. Restart the unit on using either the POWER or BRUSHROLL buttons.

Note: If vacuum still does not start, contact Customer care at: AUST: 1800 890 840 or NZ: 0800 002 999.



NOTES

NOTES



NOTES

Euro-Pro and **Shark** are registered trademarks of Euro-Pro Operating LLC.
Rotator and **Lift-Away** are trademarks of Euro-Pro Operating LLC.



FIVE (5) YEAR LIMITED REPLACEMENT WARRANTY STATEMENT

If your product becomes defective due to faulty material or workmanship within a period of 5 year from the date of purchase, we warrant to do the following:

- **For New Zealand Consumers:** We will replace the product with a new product, free of charge, or repair the product at our cost, at our discretion.
- **For Australian Consumers:** Our goods come with guarantees that cannot be excluded under the Australian Consumer Law. You are entitled to a replacement or refund for a major failure and for compensation for any other reasonably foreseeable loss or damage. You are also entitled to have the goods repaired or replaced if the goods fail to be of acceptable quality and the failure does not amount to a major failure.

Your warranty is subject to the following conditions:

- **DO NOT** operate the appliance with a damaged plug or cord, or if the unit has been dropped, damaged or dropped in water. To avoid the risk of electric shock, do not disassemble or attempt to repair the appliance on your own. If the supply cord is damaged, **it must be replaced by a qualified electrician in order to avoid a hazard.** Incorrect re-assembly or repair can cause a risk of electrical shock or injury to persons when the appliance is used.
- The product has not been misused, abused, neglected, altered, modified or repaired by anyone.
- The product has been subjected to fair wear and tear.
- The product has not been used for trade, professional or hire purposes.
- The product has not sustained damage through foreign objects, substances or accident.

Your warranty does not cover:

- Components that are subject to natural wear and tear caused by normal use in accordance with operating instructions.
- Unauthorised/improper maintenance/handling or overload is excluded from this warranty.
- For guarantee claims you will need to submit a proof of purchase in the form of a valid receipt that displays date and place of purchase.

This warranty does not replace but is in addition to your statutory rights.

This warranty does not apply to accessories supplied with the product.

This warranty applies only to the original purchaser and may not be transferred.

Replacement products will be covered by the limited warranty for the balance of the warranty period from the date of the original purchase.

Please note:

Only defective product or parts returned to place of purchase will be replaced under this warranty.

New Zealand Contact:

Brand Developers Limited
Unit H, 686 Rosebank Road,
Avondale 1026, Auckland, New Zealand
FAX: +64 9 306 8203
NZ Customer Care 0800 002 999

Australia Contact

Brand Developers Aust Pty Ltd
461 Plummer Street,
PORT MELBOURNE, VIC 3207
FAX: +61 3 9681 7825
AUST Customer Care: 1800 890 840



Shark®

Distributed by:

Brand Developers Aust Pty Ltd

461 Plummer Street
PORT MELBOURNE, VIC 3207
FAX: +61 3 9681 7825
AUST Customer Care: 1800 890 840



Brand Developers Ltd

Unit H, 686 Rosebank Road,
Avondale, 1026 Auckland,
NEW ZEALAND
FAX: +64 9 306 8203
NZ Customer Care: 0800 002 999



SAA131168EA