

Shark[®]

Rocket™

OWNER'S GUIDE

HV300NZ



Thank you for purchasing the Shark® Rocket™ Vacuum Cleaner.

This Owner's Guide is designed to help you get a complete understanding of your new vacuum cleaner. Please read it carefully and keep for future reference.

THANK YOU!

RECORD THIS INFORMATION:

Model Number: _____

Date of Purchase (Keep receipt):

TECHNICAL SPECIFICATIONS:

Voltage: 220-240V, 50Hz

Watts: 550W

RECOMMENDED FILTER CLEANING SCHEDULE:

See the MAINTENANCE section for filter cleaning instructions

Filter Kit (Foam & Felt): **XFFV300NZ** Once a month



IMPORTANT SAFEGUARDS

When using an electrical appliance, basic safety precautions should always be observed, including the following:

WARNING

This appliance is not intended for use by persons with reduced physical, sensory or mental capabilities, or lack of experience and knowledge, unless they have been given supervision or instruction concerning use of the appliance by a person responsible for their safety.

Children shall not use or play with this appliance. Close supervision is necessary to keep appliance out of reach of children during use.

TO REDUCE THE RISK OF FIRE, ELECTRIC SHOCK OR INJURY:

- 1 DO NOT use outdoors or on wet surfaces.
- 2 Unplug from electrical outlet when not in use and before servicing.
- 3 DO NOT use with damaged cord or plug.
- 4 DO NOT use if the appliance is not working, has been dropped, dropped into water, damaged or left outdoors.
- 5 NO SERVICEABLE PARTS. Incorrect re-assembly or repair can cause a risk of electrical shock or injury to persons when the appliance is used. Contact Customer Service.
- 6 DO NOT pull or carry vacuum cleaner by the cord or use the cord as a handle.
- 7 DO NOT unplug by pulling on cord; to unplug, grasp the plug, not the cord.
- 8 DO NOT handle plug or vacuum cleaner with wet hands.
- 9 DO NOT run the vacuum cleaner over the power cord, close a door on the cord or pull cord around sharp corners.
- 10 The use of an extension cord is not recommended.
- 11 DO NOT leave vacuum cleaner when plugged in.
- 12 Keep cord away from heated surfaces.
- 13 Turn off all controls before plugging or unplugging the vacuum cleaner.
- 14 Always turn off the vacuum cleaner before connecting or disconnecting Power nozzle.



CAUTION: Power nozzle contains electrical connections and the Power nozzle is not a serviceable part

- 15 Store your vacuum cleaner with the power cord secured around the two cord holders - as shown in the storage instructions.

GENERAL USE

- 16 Use only as described in this manual.
- 17 DO NOT put any objects into openings. DO NOT use with any opening blocked; keep free of dust, lint, hair, and anything that may reduce air flow.

- 18 Keep your work area well lit.
- 19 Keep the vacuum cleaner moving over the carpet surface at all times to avoid damaging the carpet fibers.
- 20 DO NOT place vacuum cleaner on unstable surfaces such as chairs or tables.
- 21 DO NOT use without dust cup and/or filters in place.

WAND ATTACHMENTS

- 22 DO NOT use if air flow is restricted; if the air paths, the wand, or the accessories become blocked, turn the vacuum cleaner off. Remove all obstructions before you turn on the unit again.
- 23 Keep the end of the wand and accessory openings away from face and body.
- 24 Keep suction openings away from hair, face, fingers, uncovered feet, or loose clothing.
- 25 Only use manufacturer's recommended attachments.

DUST CUP/FILTERS/ACCESSORIES

Before turning on the vacuum:

- 26 Make sure that all filters are thoroughly dry after routine cleaning.
- 27 Make sure that dust cup and all filters are in place after routine maintenance.
- 28 Make sure accessories are free of blockages.
- 29 Use only manufacturer's recommended accessories and replacement parts.

GENERAL CLEANING

- 30 DO NOT pick up large-sized objects.
- 31 DO NOT pick up hard or sharp objects such as glass, nails, screws or coins that could damage the vacuum cleaner.
- 32 DO NOT pick up smoking or burning objects such as hot coals, cigarette butts, or matches.
- 33 DO NOT pick up flammable or combustible materials such as lighter fluid, petrol, or kerosene or use vacuum in areas where they may be present.
- 34 DO NOT pick up toxic solutions such as chlorine bleach, ammonia, or drain cleaner.
- 35 DO NOT use in an enclosed space where vapours are present from paint, paint thinner, moth-proofing substances, flammable dust or other explosive or toxic materials.
- 36 DO NOT vacuum up any liquids.
- 37 DO NOT immerse vacuum cleaner in water or other liquids.
- 38 DO NOT use outdoors or on wet surfaces; use only on dry surfaces.
- 39 Use extra care when cleaning on stairs.

SAVE THESE INSTRUCTIONS



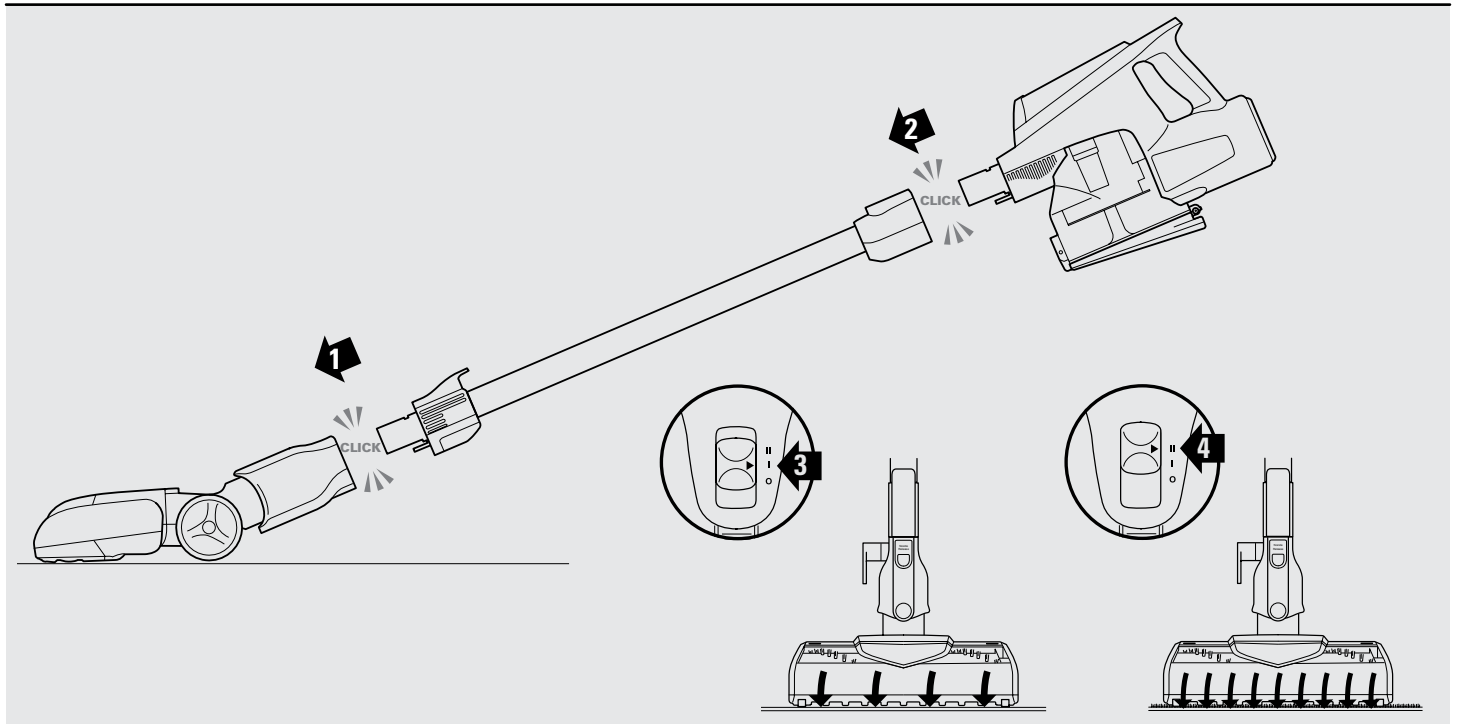
ASSEMBLY

- 1 Insert the tube into the floor nozzle connector.
- 2 Insert the handheld portion into the top of the tube.

FLOOR CLEANING

This vacuum has a 2-speed POWER slider switch, optimised for bare floor, delicate area rug and carpet cleaning.

- 3 Plug the unit into an outlet. Slide the POWER switch to the first position to clean bare floor surfaces and delicate area rugs. The brush roll will spin slowly to help with debris pick-up.
- 4 Slide the POWER switch to the second position to clean carpets. The brush roll will spin faster to help pick up debris below the surface.

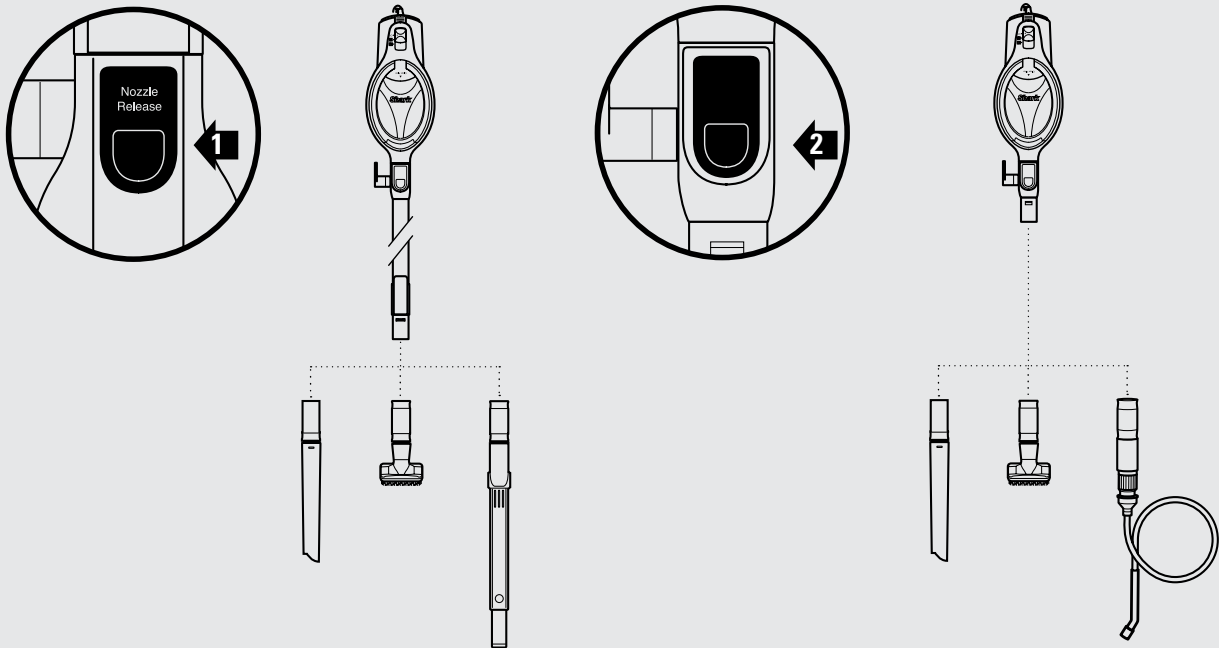


ABOVE FLOOR CLEANING

This vacuum has the reach to clean up above floors or in tight spaces by using the tube. It also has the convenience of a handheld vacuum when using it without the tube.

- 1 Press the coloured button on the floor nozzle and pull to disconnect it from the end of the tube. Attach desired cleaning accessory.
- 2 Press the coloured button on the top of the tube and pull to disconnect it from the handheld portion. Attach desired cleaning accessory.

NOTE: Select cleaning accessories are included with this model.



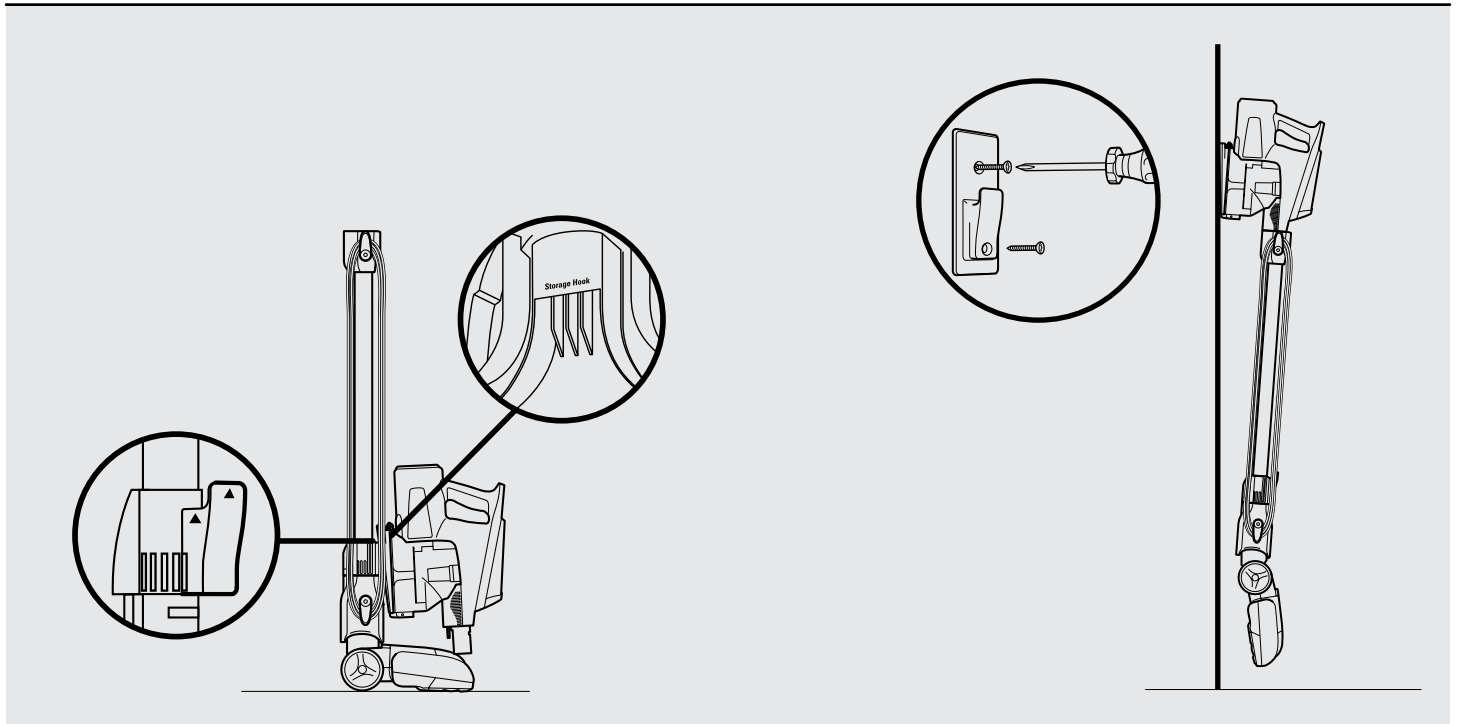
STORAGE

There are 2 recommended ways to store this vacuum.

OPTION 1: Press the coloured button on the top of the tube and pull to separate it from the handheld portion of the vacuum. There is a hook on the bottom of the handheld portion. Hook it onto the hanger that is on the bottom portion of the tube. Wrap the cord around the 2 cord hooks. The unit is now ready to be stored.

OPTION 2: Use the wall mount that was included in the vacuum box. Using a Phillips head screwdriver, find a spot on the wall on which you would like to store this vacuum. Place each screw through the two holes in the wall mount and screw them into the wall. There is a hook on the bottom of the handheld portion. Hook it onto the hanger that is on the wall mount.

If you have plasterboard walls, use the plastic anchors provided before screwing wall mount in place.



ACCESSORIES

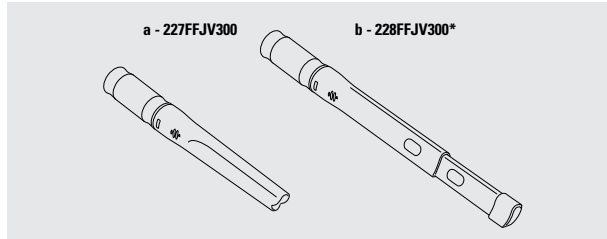
NOTE: Select cleaning accessories are included.

CREVICE TOOLS

a- 12"

b- 18" Flexi*

*Extendable with rubberized end flexes to reach tight areas.



a - 227FFJV300

b - 228FFJV300*

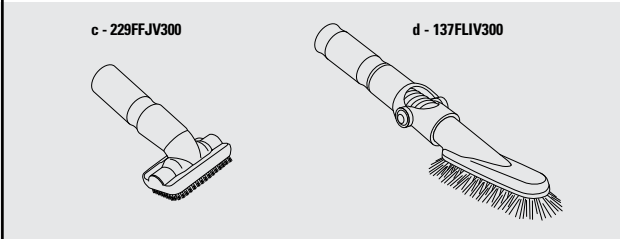
DUSTING BRUSHES

c - Dusting Brush

Cleans hard surfaces and upholstery.

d - Multi-Angle Dusting Brush

5 position soft dusting brush.

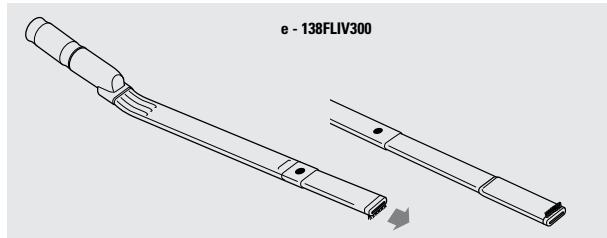


c - 229FFJV300

d - 137FLIV300

e - Appliance Wand

Extend to access areas under hard-to-move appliances and furniture. Flip extension upside down to clean underside of appliances also.



e - 138FLIV300

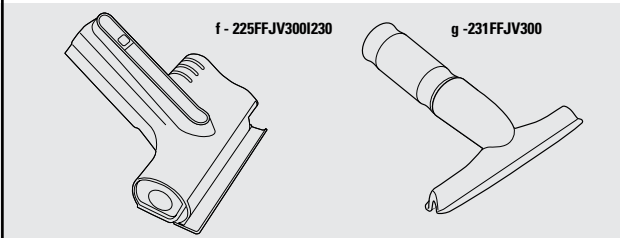
PET HAIR ACCESSORIES

f - Motorised Hand Tool - See page 8

Removes pet hair and ground in dirt from carpeted stairs and upholstery.

g - Pet Hair Tool

Removes pet hair and dust from curtains or delicate fabrics and upholstery.



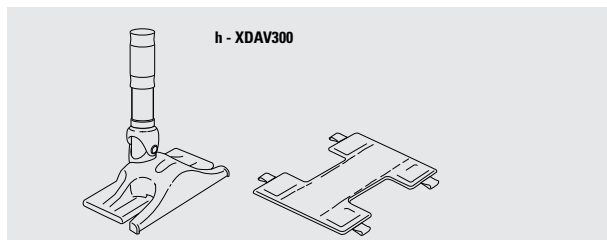
f - 225FFJV300I230

g - 231FFJV300

h - Dust-Away™ Hard Floor Tool - See page 9

Vacuums and dusts bare floors using washable or disposable pads.

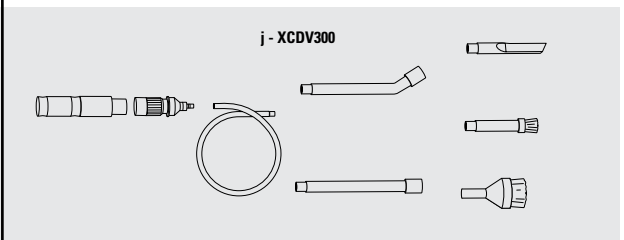
i - Washable Microfibre Pad



h - XDAV300

j - Home & Car Detail Kit - See page 10

Extension tubes and micro-tools clean the tightest spaces.



j - XCDV300

MOTORIZED HAND TOOL INSTRUCTIONS

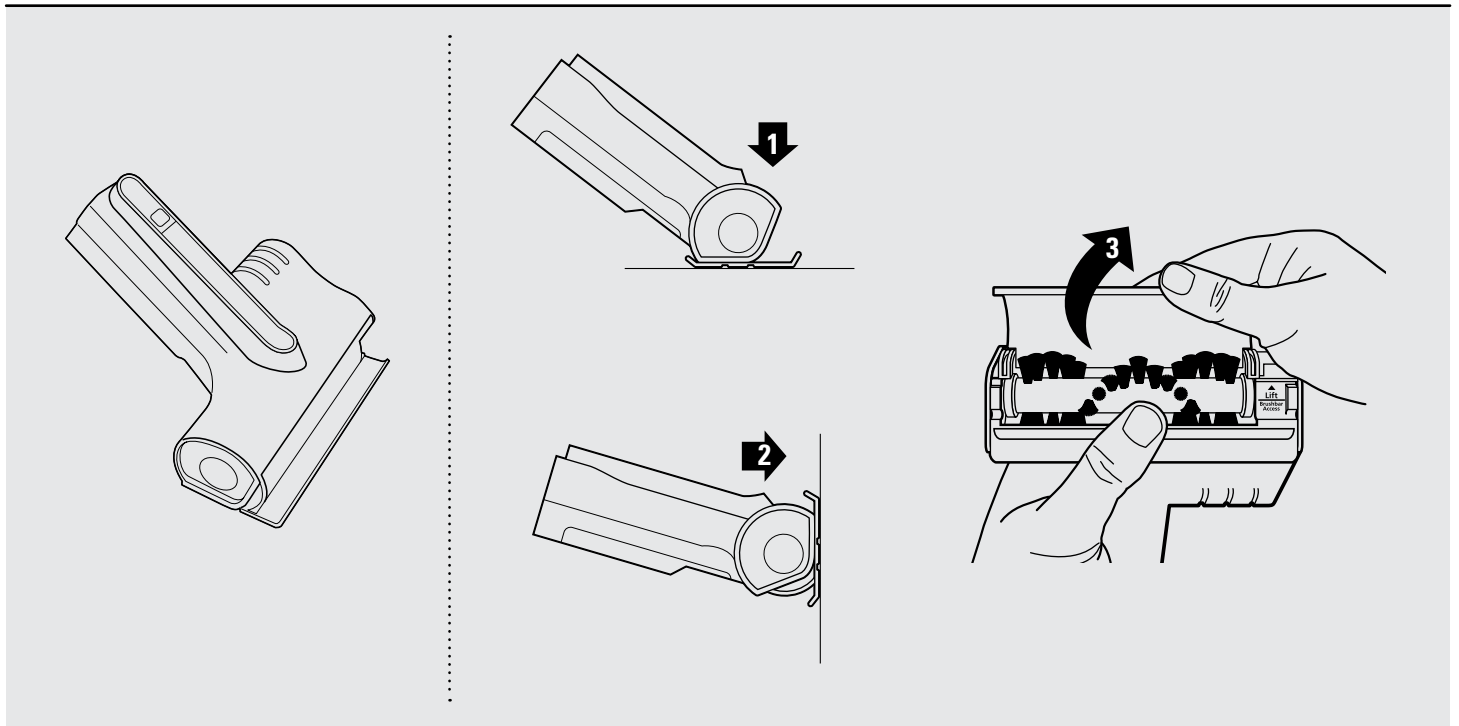
RECOMMENDED USE

This accessory picks up pet hair and debris on stairs, upholstery, tabletops, bookshelves, car interiors, etc.

The rotating plate allows for cleaning on both horizontal **(1)** and vertical **(2)** flat surfaces.

MAINTENANCE

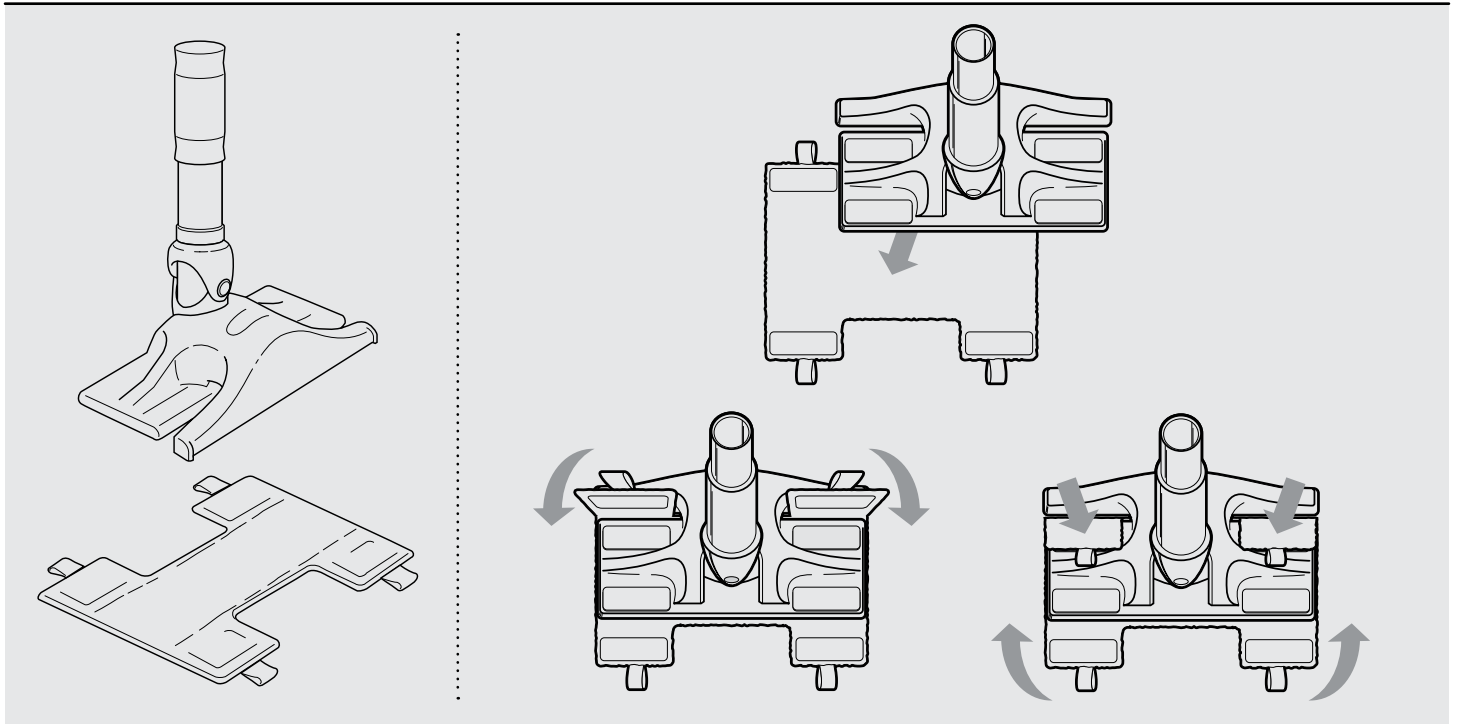
To access the brushroll for cleaning, detach this accessory from the vacuum, turn it upside down and lift up the top bar above the brushroll **(3)**. Close when finished cleaning.



DUST-AWAY™ HARD FLOOR ATTACHMENT & CLEANING PADS INSTRUCTIONS

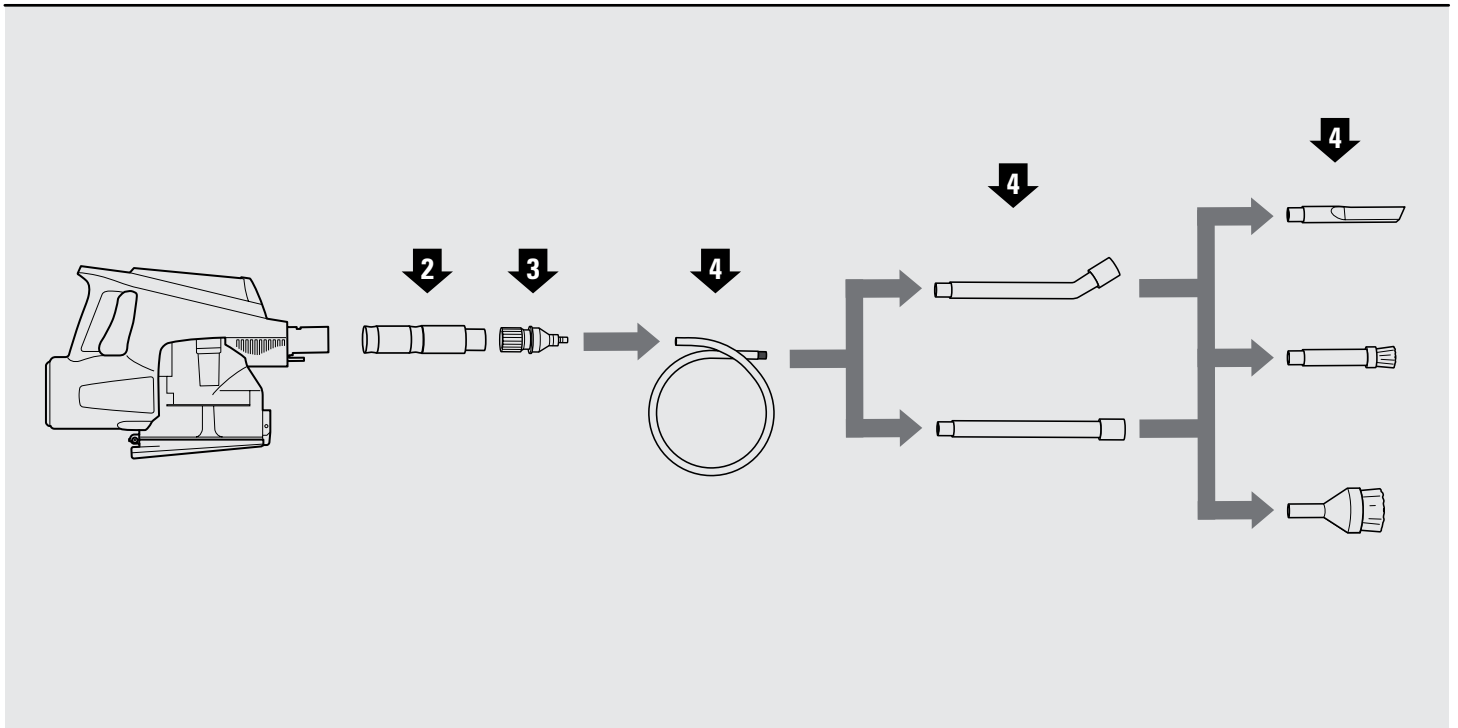
MICROFIBRE PAD

- 1 Slip two of the tabs between the suction nozzle and the duster base and attach them to the front fasteners on the base. Then pull the other two tabs tightly around to the back fasteners on the base. For best results, ensure that the pad is flat against the bottom surface and secured tightly.
- 2 Use the Dust-Away™ to clean dry bare floor surfaces. Do not use to clean damp floors or wet/sticky messes. Only use pads provided by Shark®, which are designed to work with the Dust-Away™ attachment.
- 3 Wash the pads separately with warm water either in the washing machine or by hand using liquid detergent. Do not use bleach or fabric softeners as they may damage or leave a coating that will reduce the cleaning performance of the pads. Tumble dry low or line dry to extend the life of the microfibre fabric. For best floor cleaning results, we recommend replacing your microfibre pads every 3-4 months following normal use.



HOME AND CAR DETAIL KIT

- 1 Press the WAND release button to remove the floor nozzle and wand from the hand vac.
- 2 Insert converter onto the hand vac.
- 3 Insert micro-tool adaptor.
- 4 Attach hose and desired extension tube and cleaning tool.



MAINTENANCE

EMPTY THE DUST CUP

- 1 Detach the handheld portion from the rest of the vacuum by pressing the coloured button on the top of the tube to pull it away from the handheld portion.
- 2 Holding the dust cup over a refuse bag or can, press the release button on the front of the dust cup. The bottom lid will open, allowing the debris to fall out.
- 3 Clean the dust screen inside the dust cup as required.

CLEAN THE FILTERS

See cleaning schedule on page 2

- 4 Access the filters by lifting the latch on the top of the handheld portion of the vacuum. Remove and rinse the foam and felt filters every month. Let air dry completely before replacing. Hand wash only. Tap loose dirt off filters between washes as needed. Insert the felt filter first and then place the foam filter on top of it.

CHECK FOR BLOCKAGES

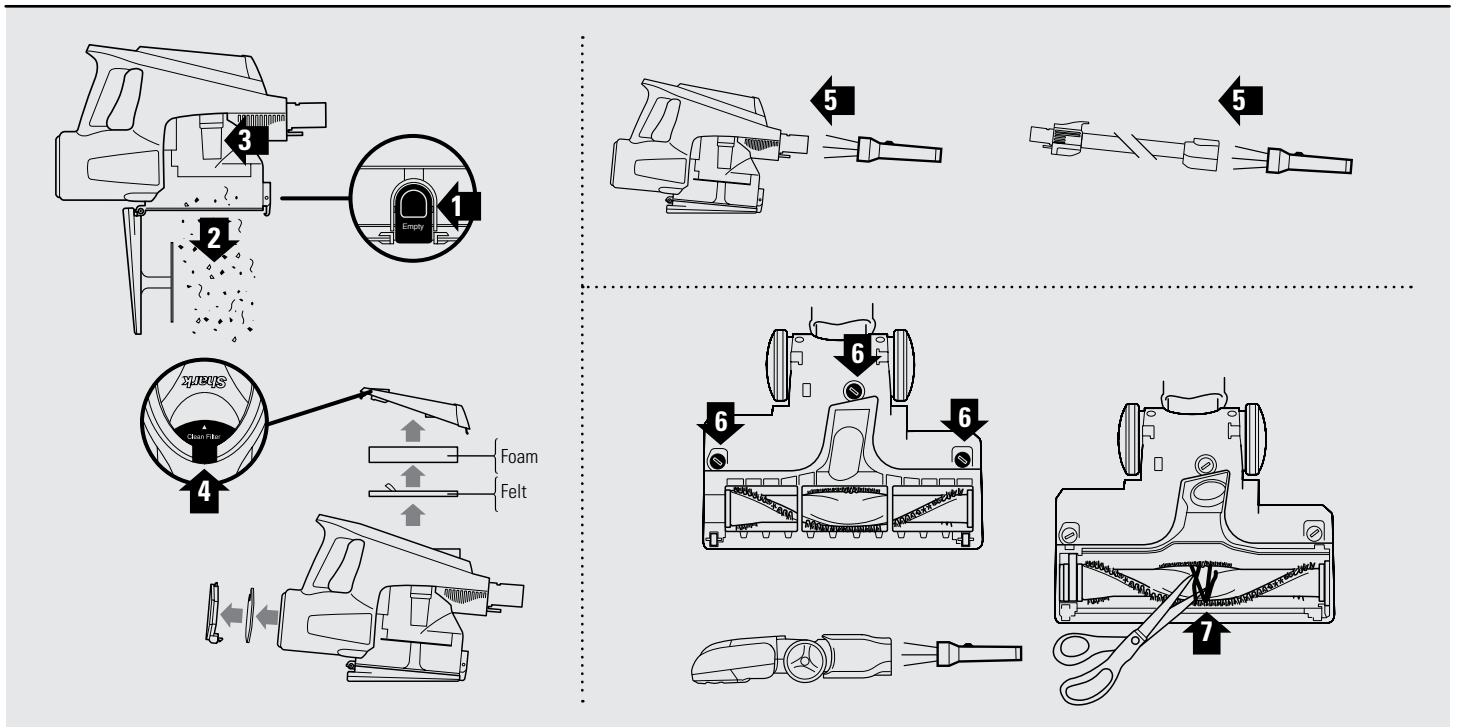
REMOVE AND INSPECT:

HANDHELD AND TUBE

- 5 Remove the tube from the handheld portion and check all dust cup intake openings. Remove the floor nozzle from the tube and check the tube for blockages.

BOTTOM OF FLOOR NOZZLE

- 6 Use a coin to unlock the 3 locks on the bottom of the floor nozzle. A portion of the base is removable to allow for better access to the brush roll and exposure to the airway. Shine a torch from the bottom to check for possible blockage in the airway.
- 7 Remove any string, carpet fibres or hair that may be wrapped around the brush roll. There is a groove on the brush bar that allows a pair of scissors to cut across it to loosen up the debris.



TROUBLE- SHOOTING GUIDE

Vacuum is not picking up dirt. No suction or light suction.

- Check filters to see if they need cleaning. Follow instructions for rinsing and drying the filters before re-inserting back into the vacuum.
- Dust cup may be full; empty dust cup.
- Check tube, tube connections, nozzles and accessories for blockages; clear blockages if required.

Vacuum lifts area rugs

- Suction is powerful. Take care when vacuuming area rugs or rugs with delicately sewn edges.
- Turn off the unit to disengage the brush roll and restart with the POWER button.

Brush roll does not spin

- Immediately turn off and unplug vacuum, disconnect the nozzle and remove blockage before reconnecting and turning vacuum back on.
- This vacuum is equipped with a thermal shut down safety feature in the event that your vacuum over heats. If your vacuum does shut down, slide the POWER switch to the "O" position and unplug the unit. After about 30 minutes, your vacuum should be ready to operate again. Plug in the power cord and turn the unit on to begin vacuuming again.

Five (5) YEAR LIMITED REPLACEMENT WARRANTY STATEMENT

If your product becomes defective due to faulty material or workmanship within a period of 5 year from the date of purchase, we warrant to do the following:

- **For New Zealand Consumers:** We will replace the product with a new product, free of charge, or repair the product at our cost, at our discretion.
- **For Australian Consumers:** Our goods come with guarantees that cannot be excluded under the Australian Consumer Law. You are entitled to a replacement or refund for a major failure and for compensation for any other reasonably foreseeable loss or damage. You are also entitled to have the goods repaired or replaced if the goods fail to be of acceptable quality and the failure does not amount to a major failure.

Your warranty is subject to the following conditions:

- **DO NOT** operate the appliance with a damaged plug or cord, or if the unit has been dropped, damaged or dropped in water. To avoid the risk of electric shock, do not disassemble or attempt to repair the appliance on your own. If the supply cord is damaged, **it must be replaced by a qualified electrician in order to avoid a hazard.** Incorrect re-assembly or repair can cause a risk of electrical shock or injury to persons when the appliance is used.
- The product has not been misused, abused, neglected, altered, modified or repaired by anyone.
- The product has been subjected to fair wear and tear.
- The product has not been used for trade, professional or hire purposes.
- The product has not sustained damage through foreign objects, substances or accident.

Your warranty does not cover:

- Components that are subject to natural wear and tear caused by normal use in accordance with operating instructions.
- Unauthorised/improper maintenance/handling or overload is excluded from this warranty.
- For guarantee claims you will need to submit a proof of purchase in the form of a valid receipt that displays date and place of purchase.

This warranty does not replace but is in addition to your statutory rights.

This warranty does not apply to accessories supplied with the product.

This warranty applies only to the original purchaser and may not be transferred.

Replacement products will be covered by the limited warranty for the balance of the warranty period from the date of the original purchase.

Please note:

Only defective product or parts returned to place of purchase will be replaced under this warranty.

New Zealand Contact:

Brand Developers Limited
Unit H, 686 Rosebank Road,
Avondale 1026, Auckland, New Zealand
FAX: +64 9 306 8203
NZ Customer Care 0800 002 999

Australia Contact

Brand Developers Aust Pty Ltd
461 Plummer Street,
PORT MELBOURNE, VIC 3207
FAX: +61 3 9681 7825
AUST Customer Care: 1800 890 840

Shark®



Distributed by:
Brand Developers Aust Pty Ltd
461 Plummer Street
PORT MELBOURNE, VIC 3207
FAX: +61 3 9681 7825
AUST Customer Care: 1800 890 840



Brand Developers Ltd
Unit H, 686 Rosebank Road,
Avondale, 1026 Auckland,
NEW ZEALAND
FAX: +64 9 306 8203
NZ Customer Care: 0800 002 999

